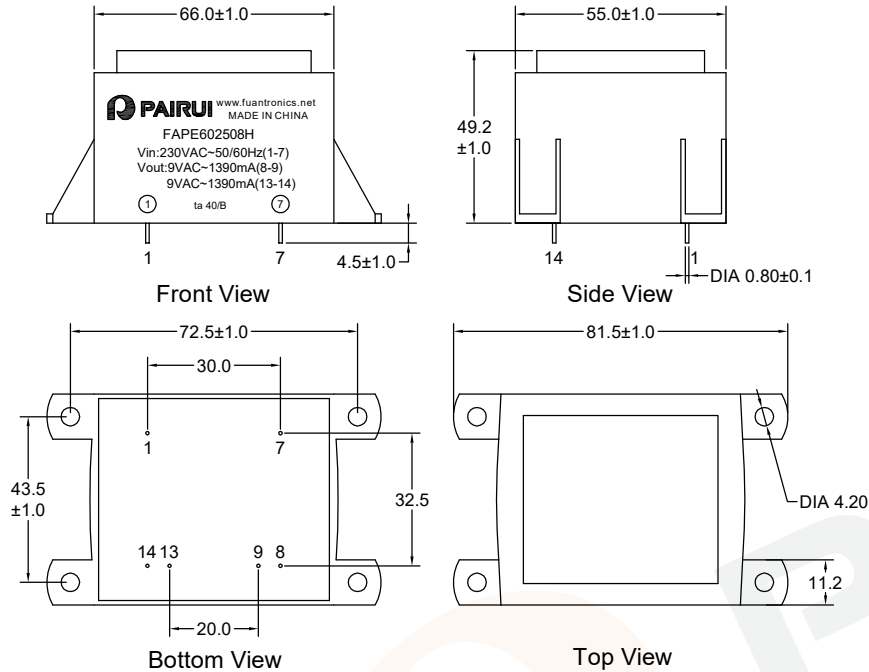


P/N: FAPE602508H



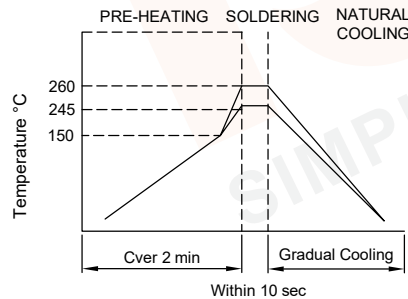
Outline Dimensions(Unit:mm)



Note:

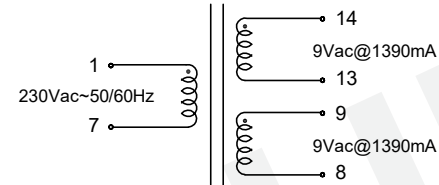
- 1.Remove Pins 2,3,4,5,6,10,11,12.

Wave Soldering



- Note:
- 1.Never Contact the ceramic with the iron tip;
 - 2.1.0mm tip diameter(max).

Electronical Schematic



Electrical Characteristics

- Input 230Vac 50Hz to 1-7 :
- Excitation current(Ix):50mA Max.
 - Output: Vo(8-9)=10.5Vac Typ(No-load).
 - Vo(13-14)=10.5Vac Typ(No-load).
 - VL(8-14 short9,13)=18.0Vac±5%(Series@1390mA).
 - VL(8,13-9,14)=9.0Vac±5%(Parallel@2780mA).
- Insulation Resistance: Pri-Sec:100 Mohms Min @500V.
Hi-Pot: Pri-Sec:4000VAC/5mA/60Second.

General Properties

- Operating Temperature:-25°C to +40°C.
- Storage Temperature:-25°C to +85°C.
- Insulation Class: B.
- Weight: 0.67kg.

REV	DESCRIPTION	APPD	DATE	Tianchang Fuan Electronic Co Ltd www.fuantronics.net TEL: +86-550-7814888 FAX: +86-550-7831133	<p>Tolerances unless otherwise specified: (X)±0.50 (XX)±0.25 Unit of measurement: mm</p>	Make: Qiumei.Liu Checked: Beson. zhan Approved: Anson. zhan	DRAWING TITLE 25W Encapsulated Transformer For EI60*25.5,230VAC Input 50/60Hz Material Number: A226025XS070	Customer Name: Document/Rev: 00 Specification Sheet: 1 of 2 Date of Recognition: Jan./02/2020

P/N: FAPE602508H



List of UL Certificate:

No.	Part Name	Mat'l Description	Supplier	UL Number
1	Bobbin	EI60*25.5/PBT(Black)	Chang Chun Plastics Co Ltd	E59481
2	Case	CASE-EI60*25.5/PA66(Orange)	Zhejiang Juner New Materials Co Ltd	E204321
3	Copper wire	2UEW-F/155C	Elektrisola Hangzhou Co Ltd	E258243
4	Core	Lamination	Ta Yea Steel Industry Co Ltd	N/A
5	Epoxy	PU552(Black)	Wevo-Chemle Gmbh	E108835
6				



				Tianchang Fuan Electronic Co Ltd www.fuantronics.net TEL: +86-550-7814888 FAX: +86-550-7831133	Tolerances unless otherwise specified: (.X)±0.50 (.XX)±0.25 Unit of measurement: mm	Make: Qiumei.Liu	DRAWING TITLE 25W Encapsulated Transformer For EI60*25.5,230VAC Input 50/60Hz Material Number: A226025XS070	Customer Name:
						Checked: Beson. zhan		Document/Rev: 00
REV	DESCRIPTION	APPD	DATE			Approved: Anson. zhan		Specification Sheet: 2 of 2 Date of Recognition: Jan./02/2020